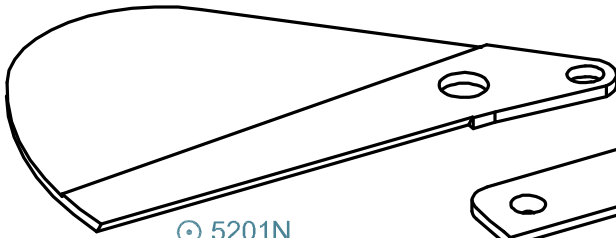
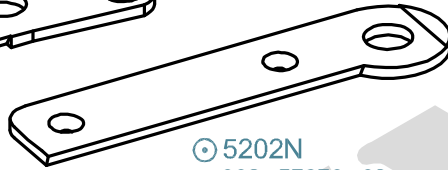


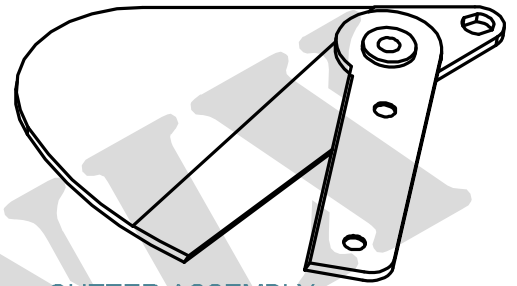
5200 - SHUTTER CUTTER



◎ 5201N
007-37030-66



◎ 5202N
008-37070-62

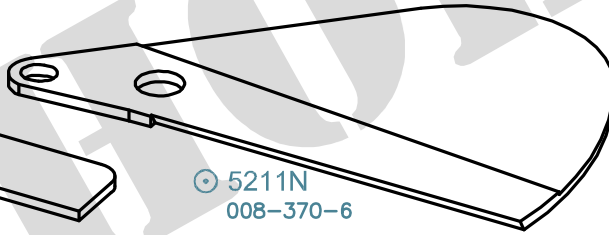


CUTTER ASSEMBLY
◎ 5200S-00 (Steel)

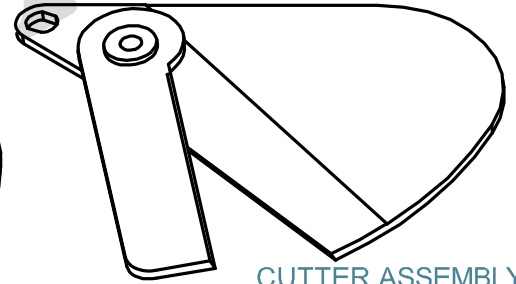
5210 - SHUTTER CUTTER (PIN TYPE)



◎ 5212N
008-370-5

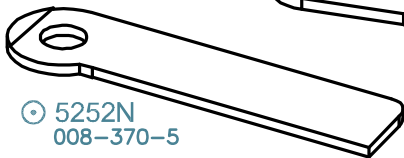


◎ 5211N
008-370-6

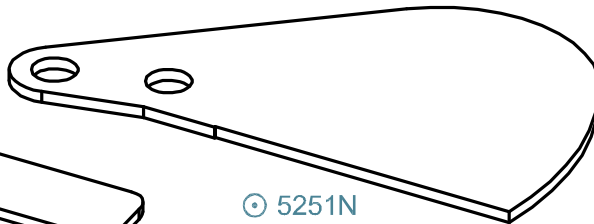


CUTTER ASSEMBLY
◎ 5210S-00 (Steel)

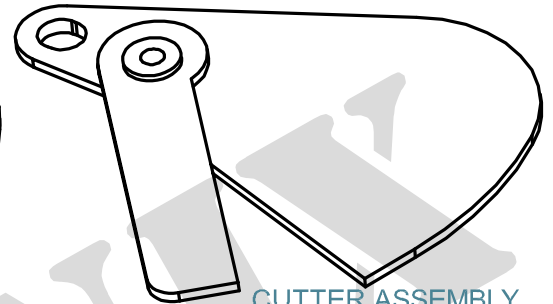
5250 - SHUTTER CUTTER (BUSH TYPE)



◎ 5252N
008-370-5

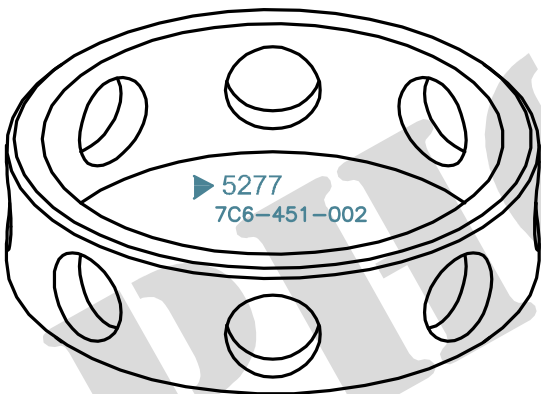


◎ 5251N

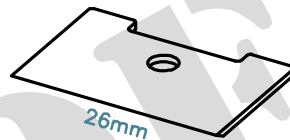


CUTTER ASSEMBLY
◎ 5250S-00 (Steel)

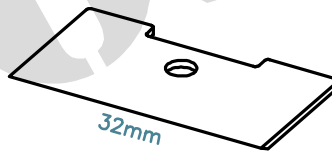
5270 - ROTARY CUTTER - CBF



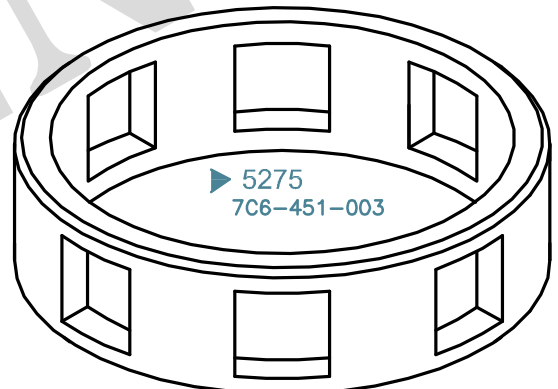
▶ 5277
7C6-451-002



26mm
◎ 5278S (Steel)
7C6-451-001



32mm
◎ 5276S (Steel)



▶ 5275
7C6-451-003

5290 - DOFFER SCISSOR



◎ 5291
210-401-006



● 5293

MATERIAL CODE : ▶ CERAMIC , ○ HSS , ● BRAZED CARBIDE , ◎ TIN COATED